

# **WHIP INDUSTRIES, INC.**

## **WS12 12,000 LBS CAPACITY STD. & 33" EXT. LIFTS**

**INSTALLATION INSTRUCTIONS & MANUAL**

**TWO POST ABOVE GROUND OVERHEAD LIFT**

**WHIP INDUSTRIES, INC**

7711 WYATT DR.

FORT WORTH, TEXAS 76108

(817) 246-1088 FAX (817) 246-2898

**E-MAIL: [WhipInd@SWBell.net](mailto:WhipInd@SWBell.net)**

# LIFT SPECIFICATIONS FOR THE WS12 FOR STANDARD LIFT

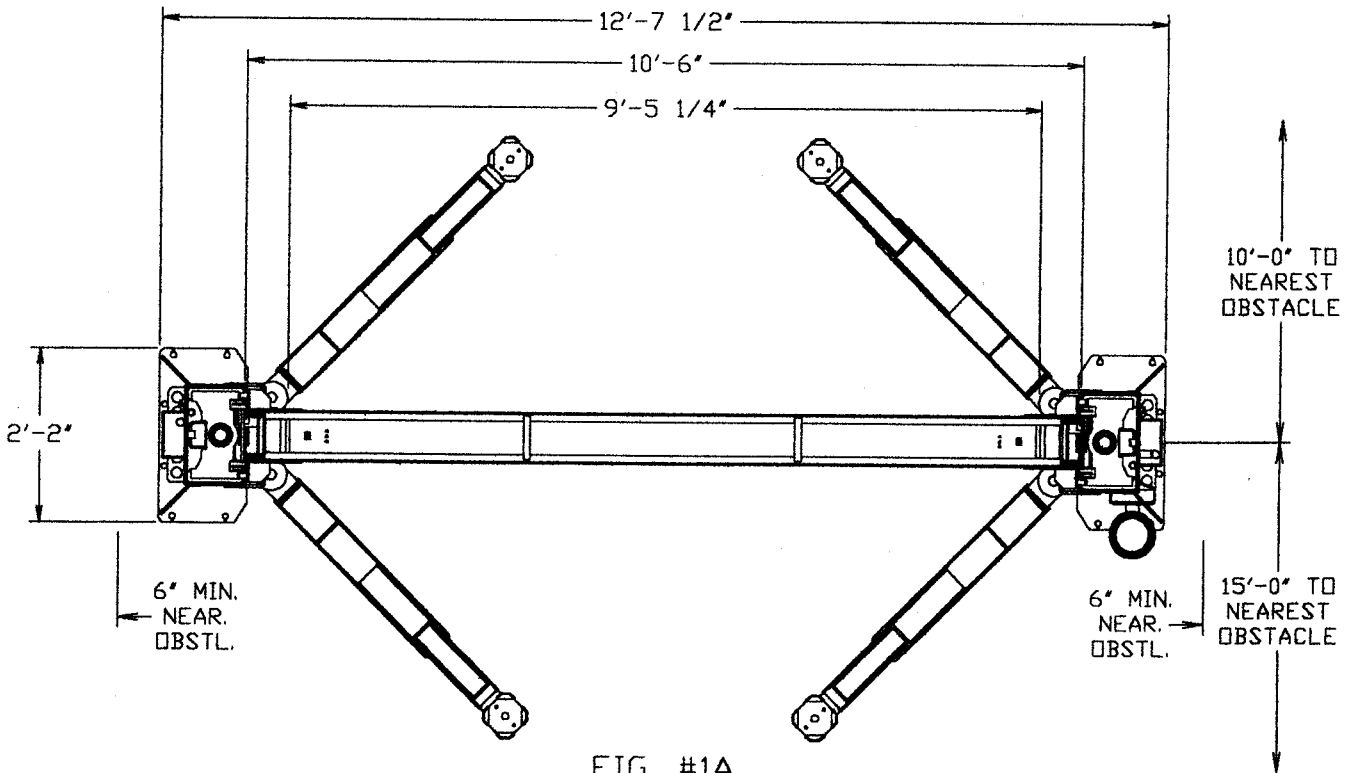
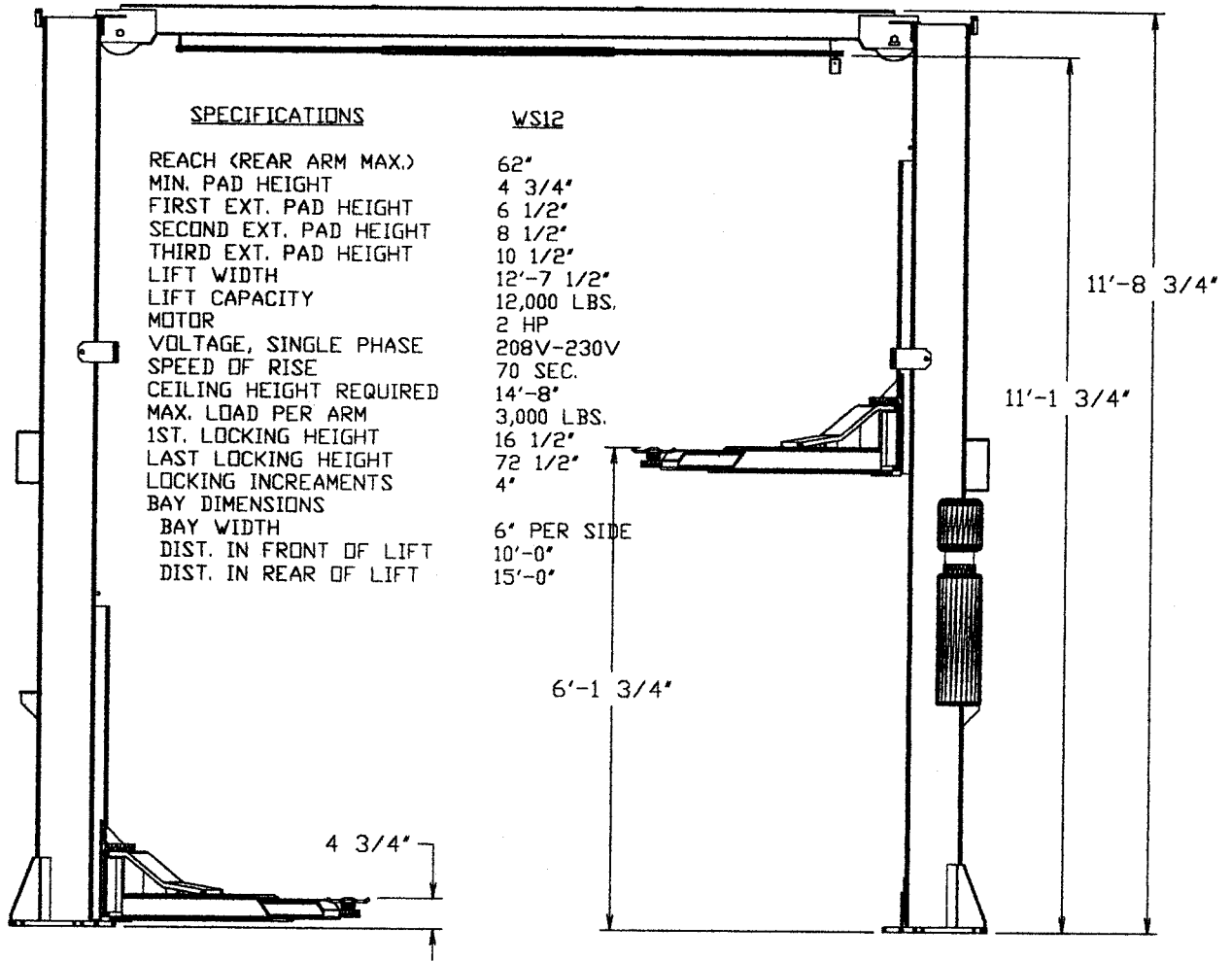


FIG. #1A