

# **WHIP INDUSTRIES, INC.**

**WFP30R**

**STD. & EXT.**

**30,000 LBS CAPACITY**

**FOUR POST ABOVE GROUND LIFT**

**INSTALLATION INSTRUCTIONS & MANUAL**

**WHIP INDUSTRIES, INC**

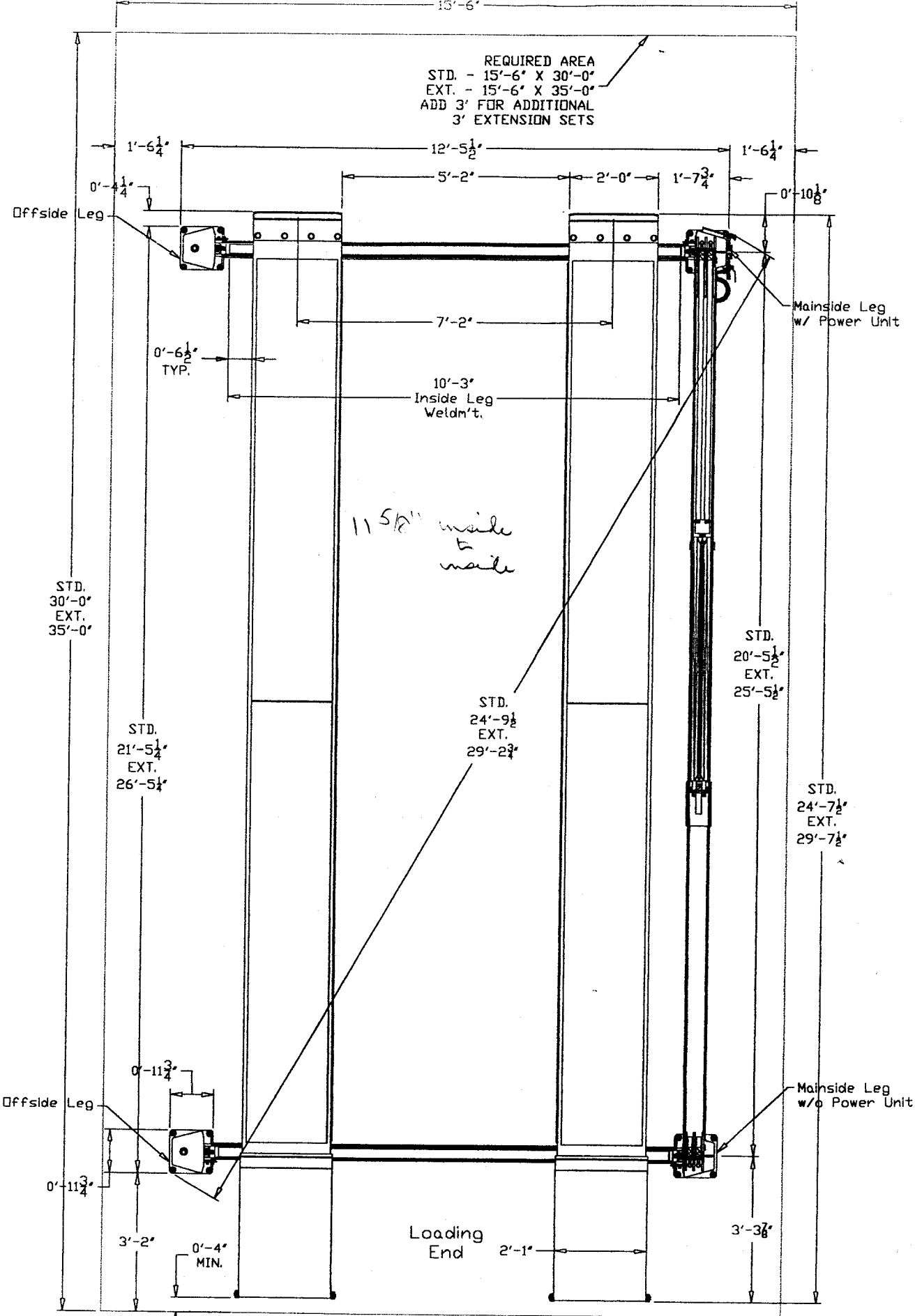
7711 WYATT DR.

FORT WORTH, TEXAS 76108

(817) 246-1088 FAX (817) 246-8942

E-MAIL: [WhipInd@SWBell.net](mailto:WhipInd@SWBell.net)

REQUIRED AREA  
 STD. - 15'-6" X 30'-0"  
 EXT. - 15'-6" X 35'-0"  
 ADD 3' FOR ADDITIONAL  
 3' EXTENSION SETS



INSTALLATION SPECIFICATION

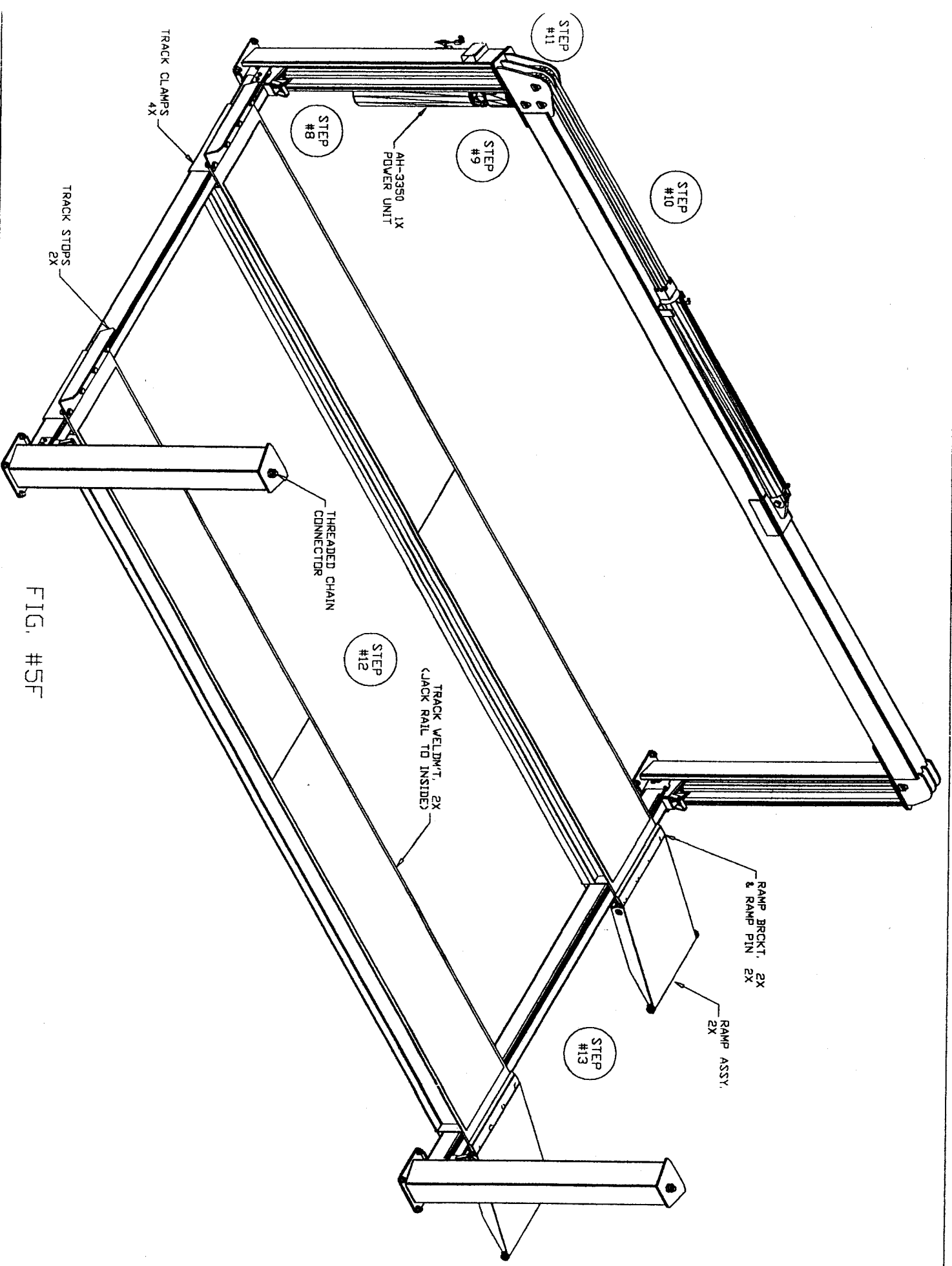


FIG. #5F