

WHIP INDUSTRIES, INC.

WFP15RO & WFP15RO-E

15,000 LBS CAPACITY

FOUR POST GROUND LIFT

INSTALLATION INSTRUCTIONS & MANUAL

WHIP INDUSTRIES, INC

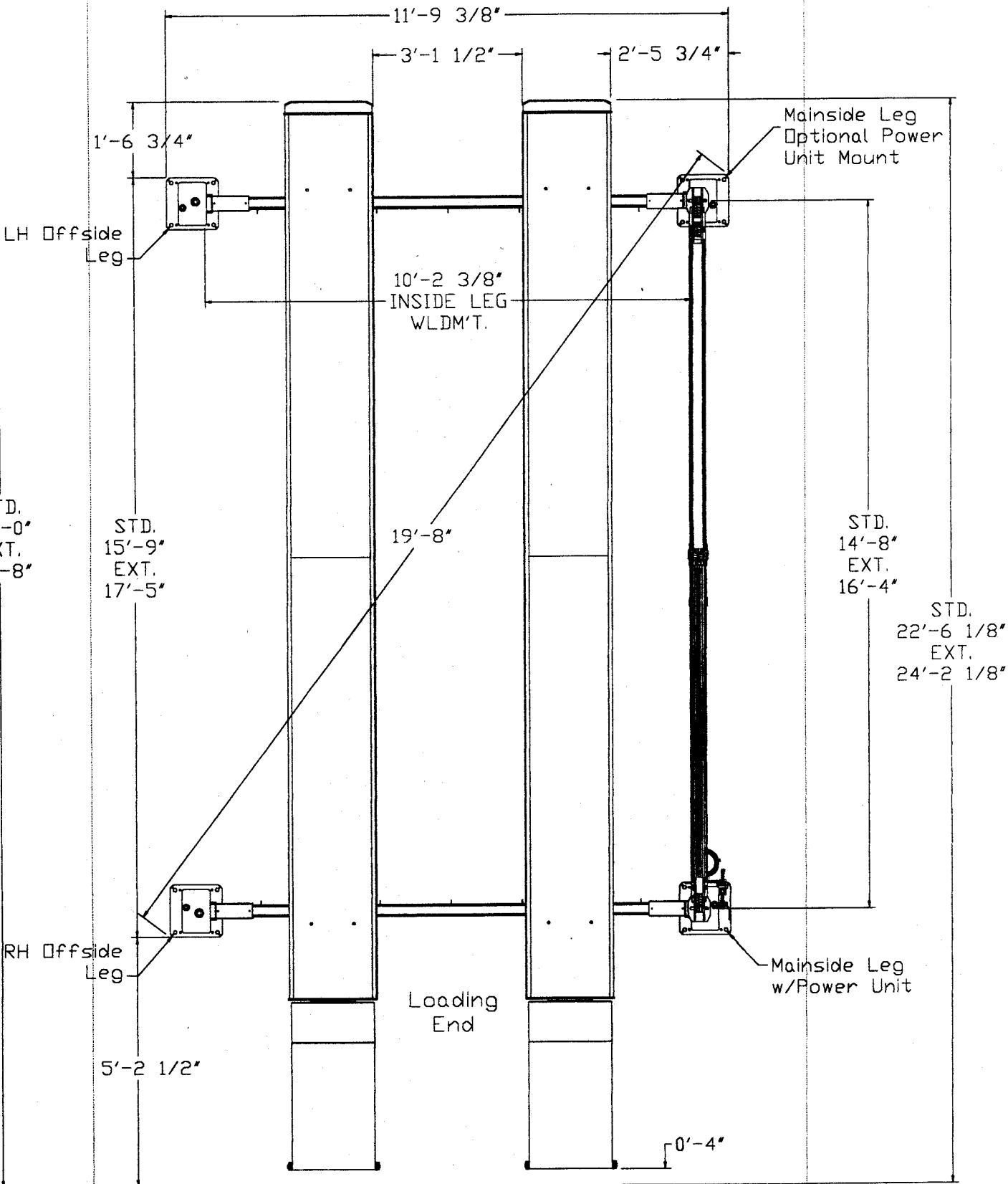
7711 WYATT DR.

FORT WORTH, TEXAS 76108

(817) 246-1088 FAX (817) 246-2898

E-MAIL: WhipInd@SWBell.net

REQUIRED AREA
 STD. - 15'-0" X 27'-0"
 EXT. - 15'-0" X 28'-8"



WFP15RD LAYOUT & INSTALLATION SPECIFICATION

-POWER UNIT CAN BE MOUNTED ON EITHER MAINSIDE LEG.
 MAINSIDE LEGS CAN BE LOCATED ON EITHER SIDE OF LIFT.
 IF MAINSIDE LEGS ARE SWITCHED TO OPPOSITE SIDE OF
 LIFT THEN CROSS RAILS MUST ALSO BE CHANGED IN RESPECT.
 -THE ROUTING OF THE HYDRAULIC AND AIR LINES CHANGE
 DEPENDING ON WHERE THE POWER UNIT IS LOCATED AND
 WHICH SIDE THE MAINSIDE LEGS ARE LOCATED ACCORDING
 TO THE LIFT.

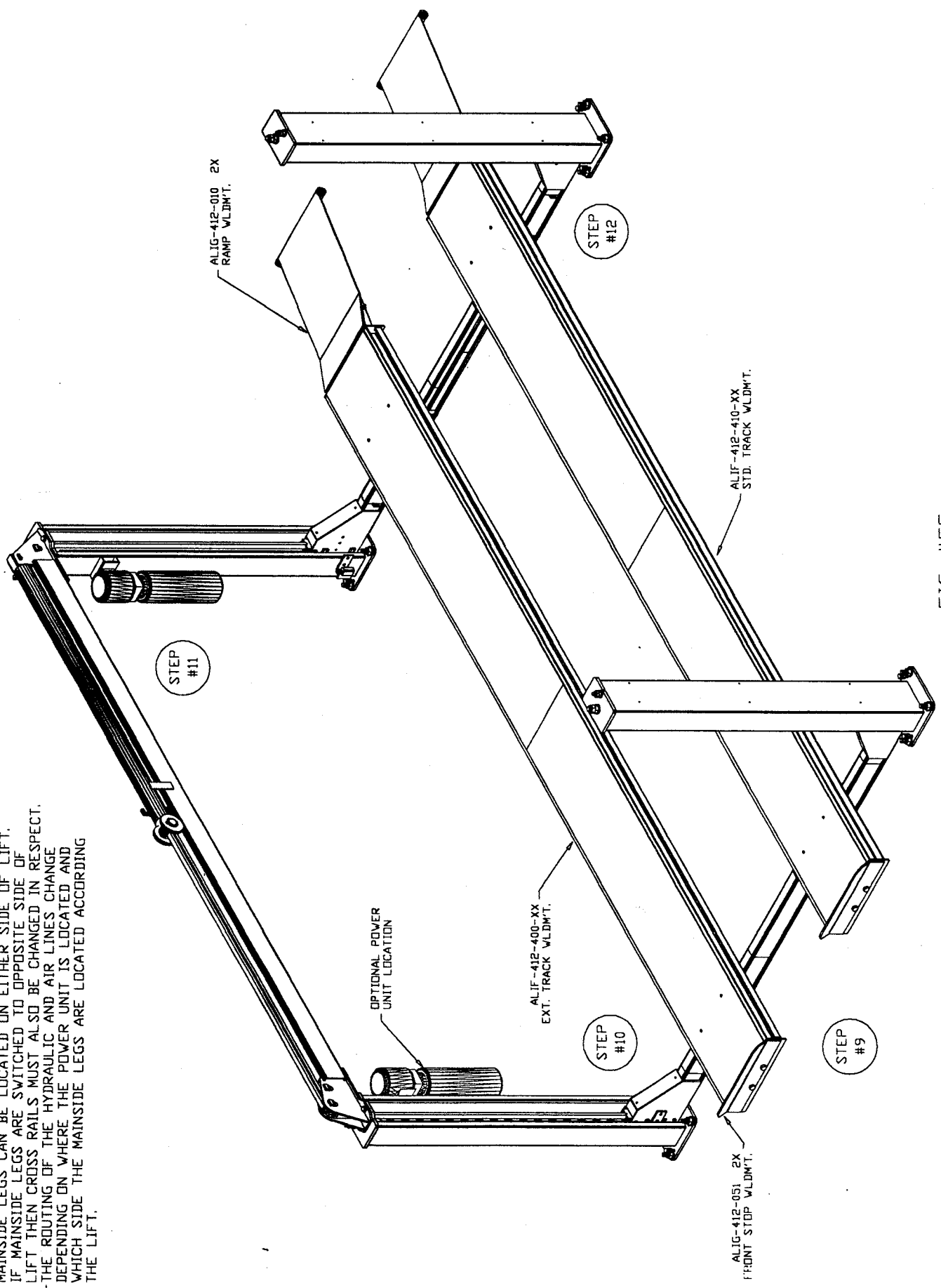


FIG. #5E