

MANUAL FOR

WFP12R

STD. 4 POST LIFTS

&

WFP12R-E

EXT. 4 POST LIFTS

**WHIP INDUSTRIES, INC**

7711 WYATT DR.

FORT WORTH, TEXAS 76108

(817) 246-1088 FAX (817) 246-2898

E-MAIL: [WhipInd@SWBell.net](mailto:WhipInd@SWBell.net)

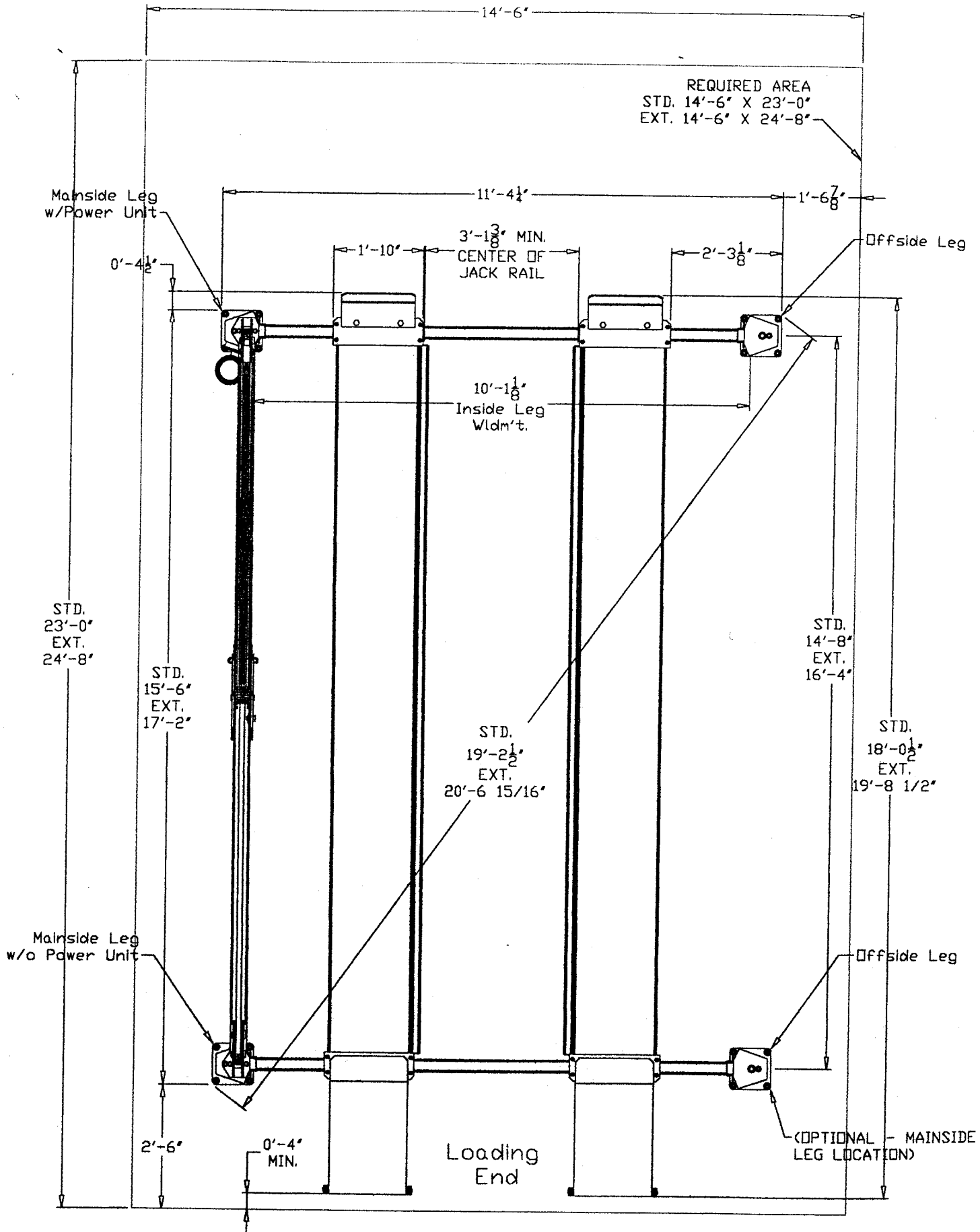
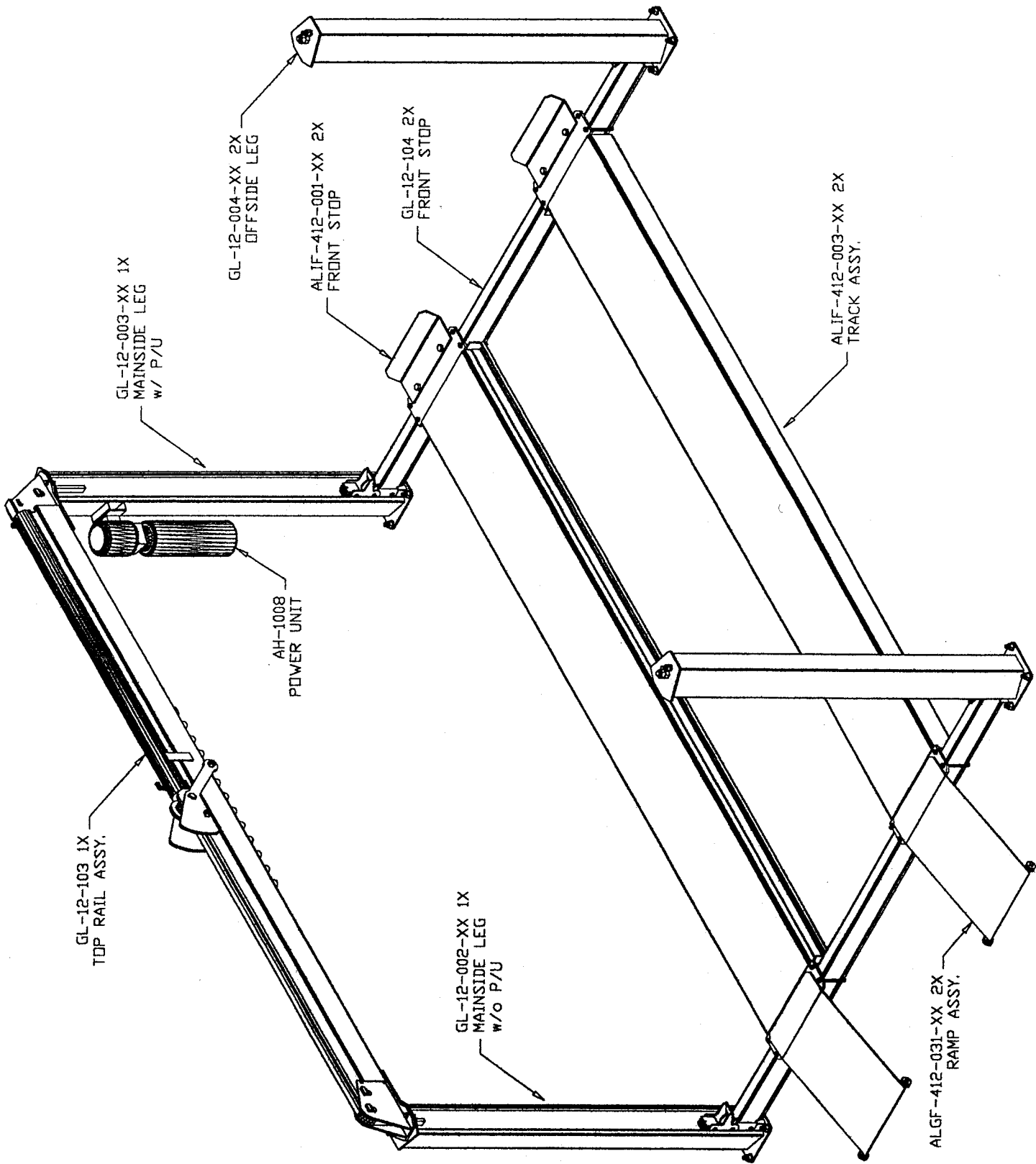


FIG. #1 LAYOUT & INSTALLATION SPECIFICATION



LIFT ASSEMBLY