

**TWIN CYLINDER MOBIL MID-RISE LIFT
INSTALLATION AND OWNERS MANUAL**

MODEL: 207000

AUGUST 2001

Important Notices:

The floor on which the lift is to be operating must be 4 inch minimum thickness concrete, with reinforcement steel bars and minimum compressive strength of 3000 psi.

Failure by the purchaser to provide the recommended operating surface could result in unsatisfactory lift performance, property damage or personal injury.

SCISSOR LIFT ASSEMBLY

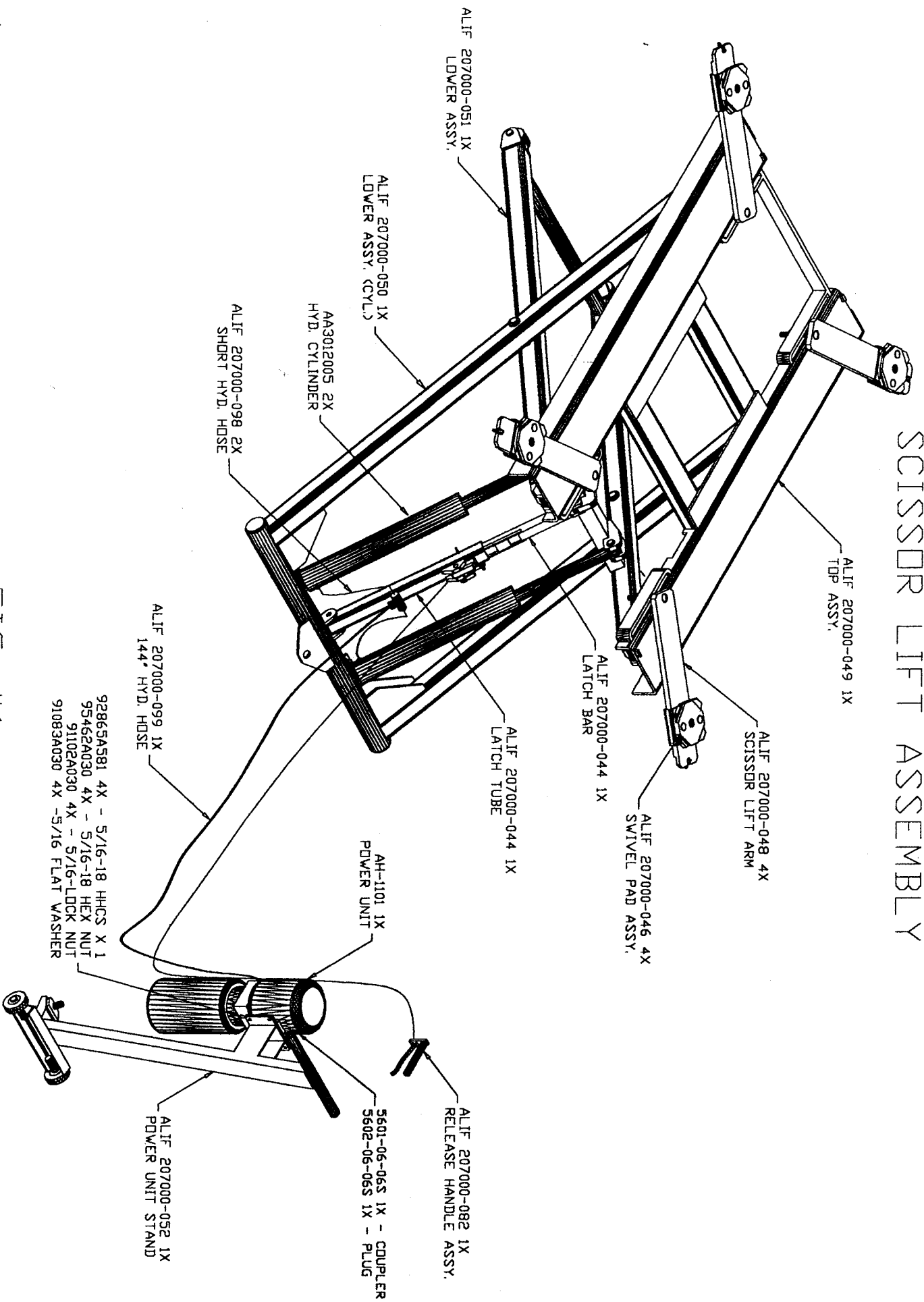


FIG. #1